

DT SWISS

FORKS

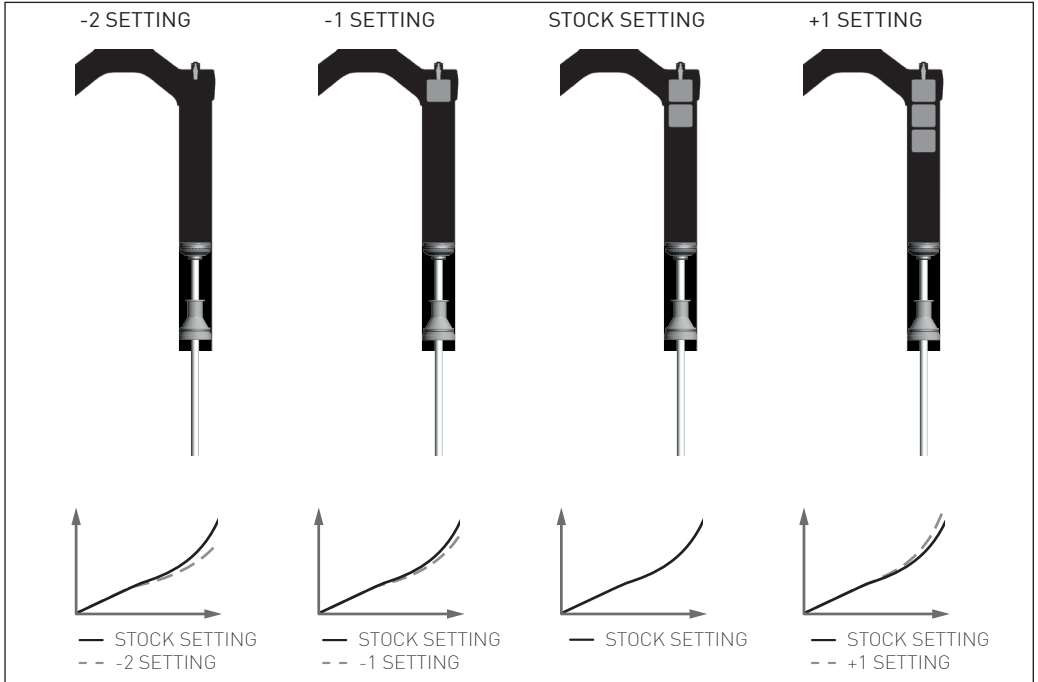
F 535 ONE
APT VOLUME SPACER
USER MANUAL

V2018.08

1. ADDING / REMOVING APT VOLUME SPACERS

1.1 OVERVIEW / FUNCTION

The APT (Adaptable Progression Tune) system allows the rider to adjust the progression of the air spring curve by adding or removing volume spacers in the fork's air chamber. That enables riders to adjust their spring curve to their riding style and the trails they are riding. The beauty of the system lies in the fact that the forks suppleness is unaffected, regardless of the setting chosen. The fork is delivered with two mounted volume spacers. A further volume spacer is included for personal adjustment.



- 2 SETTING: COMFORTABLE LINEAR

In this setting, without spacers, the suspension fork has a linear spring curve across the entire stroke and is barely progressive at the end of the travel. It is suitable for moderate off-road use by comfort-oriented riders.

- 1 SETTING: RATHER COMFORTABLE, RATHER LINEAR

More ambitious riders looking for a rather comfortable setting use the setting with a single APT spacer offering a spring curve with a low progression for a smooth ride feel.

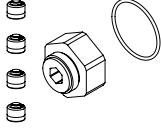
STOCK-SETTING: RATHER PROGRESSIVE

The stock setting of the forks has two APT spacers. This setting results in a rather progressive spring curve that gives more experienced riders the support they are looking for with their active riding style.

+ 1 SETTING: VERY PROGRESSIVE

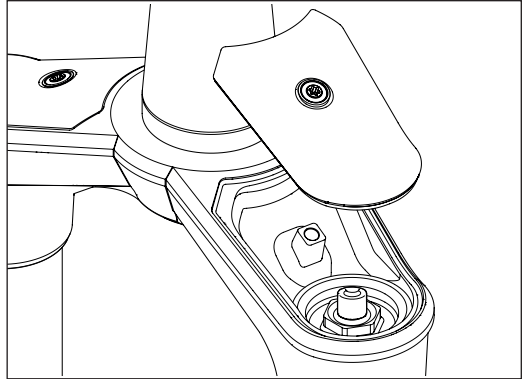
When three APT spacers are used, the fork gets progressive and offers a direct ride feel. That makes this setting suitable for strong riders with an aggressive riding style.

1.2 REQUIRED TOOLS AND MATERIALS

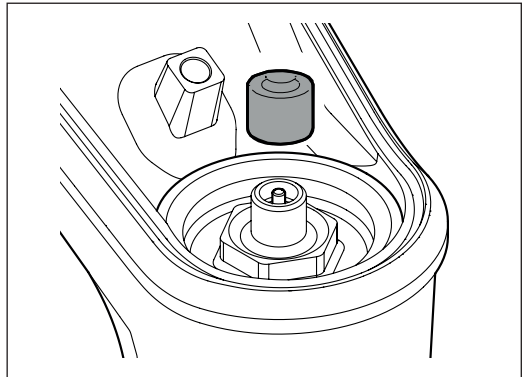
Required tools and materials	Specification	Quantity	article number
APT ADJUSTMENT KIT F 535		1	FWXXXXXXXXXX18795S
15 mm hexagon socket		1	
28 mm open-end wrench		1	
torque wrench 25 Nm		1	

1.3 RELEASING THE AIR

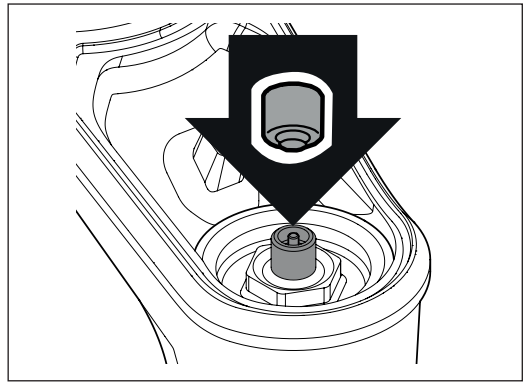
1. Unscrew the fastening screw of the cover on the spring side.
2. Remove the cover.
3. If necessary, clean the area under the cover to prevent dirt from entering the air chamber.



4. Unscrew the valve cap.

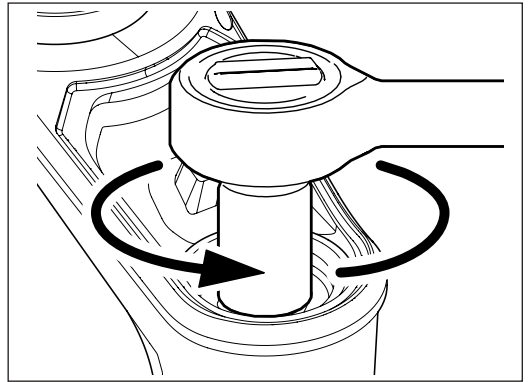


5. Carefully press the back of the valve cap onto the valve core and slowly release the air.
6. Slowly compress the suspension fork two times about 10 mm with the valve core pressed and pull it apart again.
→ This balances the positive and negative air chambers.

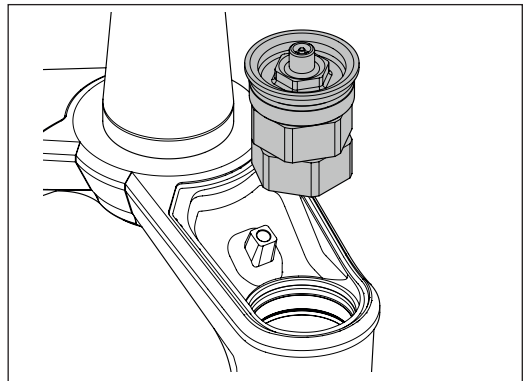


1.4 OPENING THE AIR CHAMBER

1. Make sure the valve cap is removed and the air is completely released.
2. Ensure that the area around the air chamber cap is clean to prevent dirt from entering the air chamber.
3. Unscrew the air chamber cap with a 15 mm hexagon socket and a ratchet.

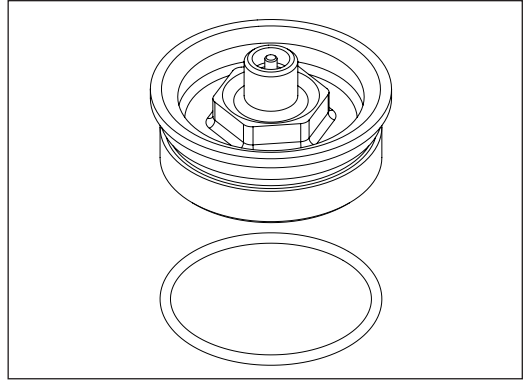


4. Pull the air chamber cap out of the air chamber.



1.5 CHANGING THE O-RING OF THE AIR CHAMBER CAP

1. Remove the O-ring from the air chamber cap.
2. Clean the seat of the O-ring and the thread of the air chamber cap and grease it slightly.
3. Slightly grease the new O-ring and fit it onto the air chamber cap.



1.6 ADDING / REMOVING APT VOLUME SPACERS



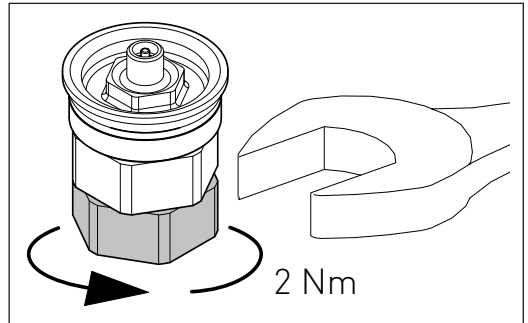
NOTE

RISK OF DAMAGE THROUGH THE INSTALLATION OF MORE THAN THREE VOLUME SPACERS!

If more than three volume spaces are mounted, the fork cannot compress completely.

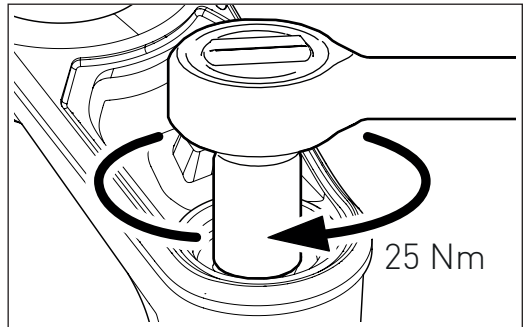
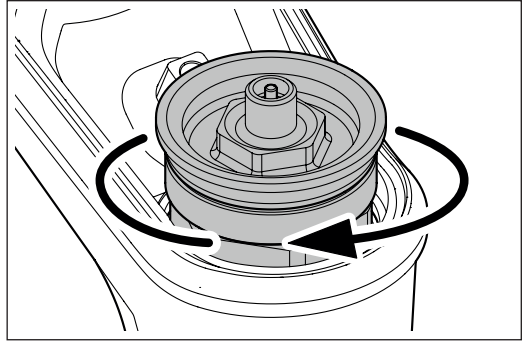
- Never mount more than three volume spacers!

1. Add or remove the volume spacer using a 28 mm wrench.
→ The maximum number of three volume spacers must not be exceeded!
2. Tighten the volume spacer with a torque of 2 Nm.



1.7 CLOSING THE AIR CHAMBER

1. Clean the thread of the air chamber and the thread of the air chamber cap.
2. Slightly grease the thread and O-ring.
3. Screw in the air chamber cap as far as possible by hand.
4. Tighten the air chamber cap with a 15 mm hexagon socket and a torque wrench to a torque of 25 Nm.

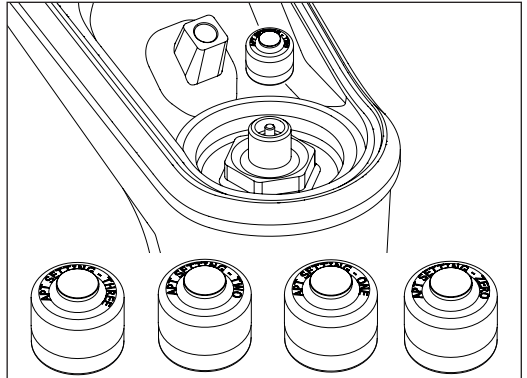


1.8 INFLATING THE FORK

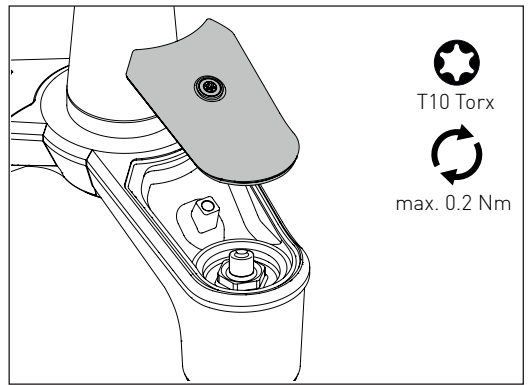
1. Inflate the fork (see user manual for detailed information).
2. Screw on the valve cap according to the number of volume spacers installed.

The kit contains various valve caps on which the number of volume spacers is marked.

If the valve cap corresponding to the number of volume spacers mounted is screwed on, it is possible later to see how many volume spacers have been mounted without dismantling the air chamber cap.



3. Abdeckung anbringen und Befestigungsschraube handfest anziehen (max. 0.2 Nm).



DT SWISS AG

Längfeldweg 101
CH - 2504 Biel/Bienne
info.ch@dtswiss.com

DT SWISS, INC.

2493 Industrial Blvd.
USA - Grand Junction, CO 81505
info.us@dtswiss.com

DT SWISS (FRANCE) S.A.S.

Parc d'Activites de la Sarrée
Route de Gourdon
F - 06620 Le Bar sur Loup
info.fr@dtswiss.com

DT SWISS (ASIA) LTD.

No.5, Jingke 5th Rd., Nantun District
Taichung City 408
Taiwan (R.O.C.)

info.tw@dtswiss.com

Subject to technical alterations, errors and misprints excepted.

All rights reserved.

© by DT SWISS AG

www.dtswiss.com